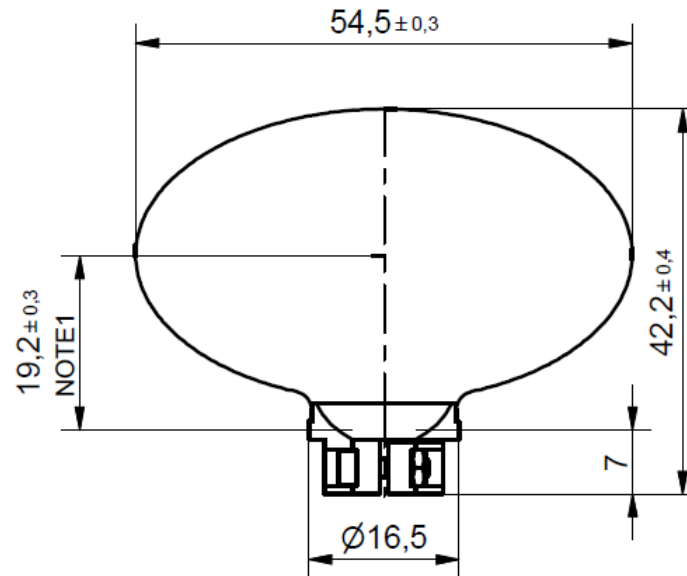
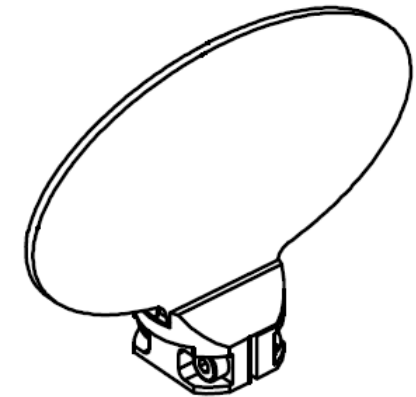


x30G optoSiC+inclusiv glued mount for 7mm shaft

J = 13.4g*cm²
M = 14.8g



Mirror: X30

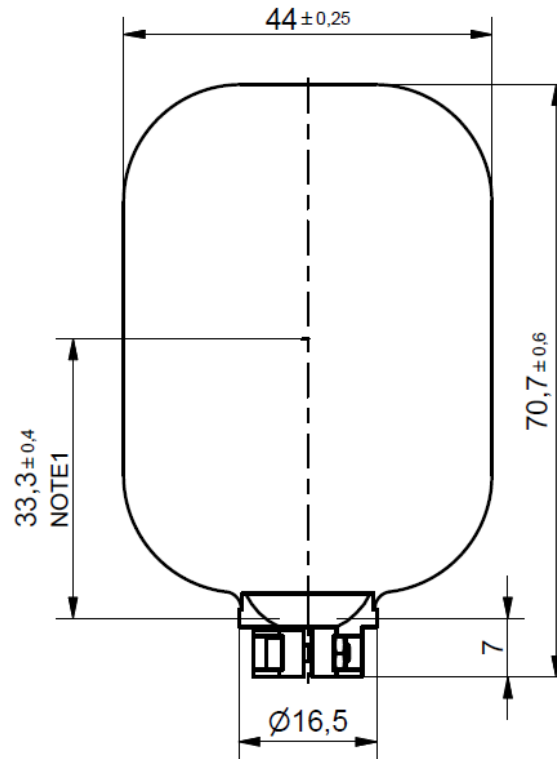
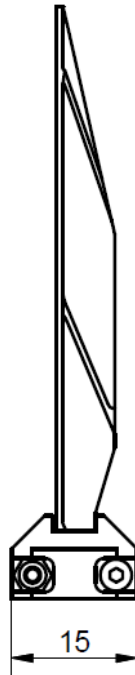


Notes:

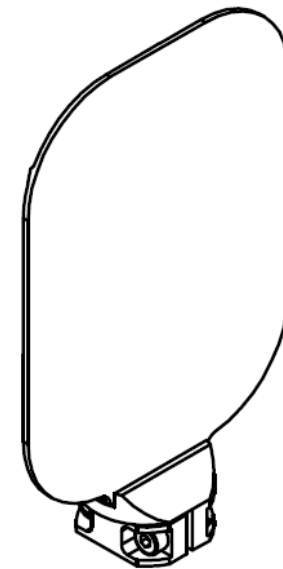
1. Dimension from end of the shaft to the center of the clear aperture.
2. Screw size = M2x8mm
3. Nut size = M2
3. Hex Key Size = 1,5mm
4. Recommended screw torque : 0,6Nm
5. Bore-Diameter 7H7

y30G optoSiC+inclusiv glued mount for 7mm shaft

J = 13.4g*cm²
M = 20.1g



Mirror: Y30



Notes:

1. Dimension from end of the shaft to the center of the clear aperture.
2. Screw size = M2x8mm
3. Nut size = M2
3. Hex Key Size = 1,5mm
4. Recommended screw torque : 0,6Nm
5. Bore-Diameter 7H7