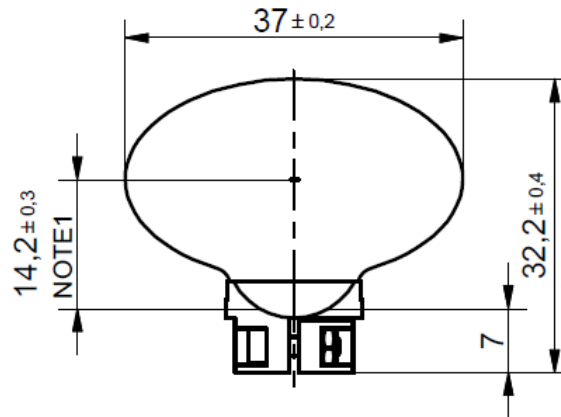
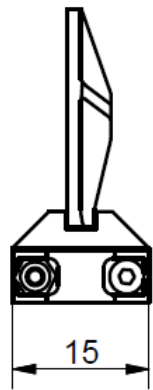
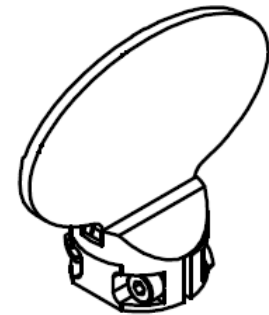


x20G optoSiC+inclusiv glued SM-mount for 7mm shaft

J = 4.21g*cm²
M = 8.55g



Mirror: X20

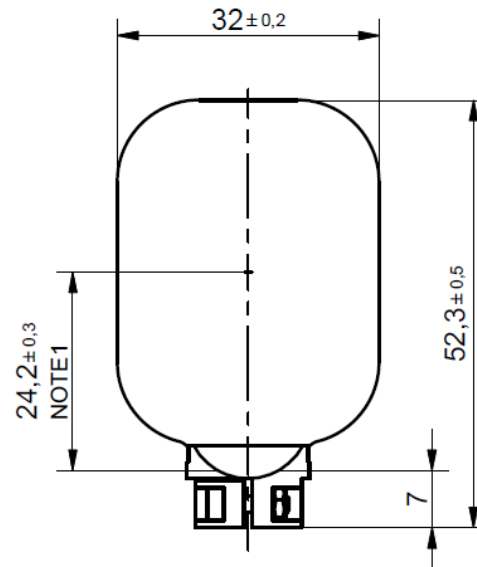
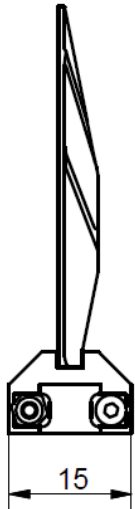


Notes:

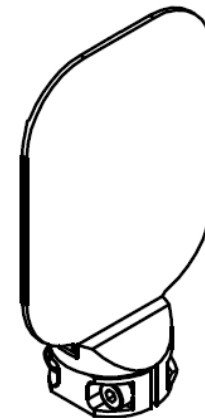
1. Dimension from end of the shaft to the center of the clear aperture.
2. Screw size = M2x8mm
3. Nut size = M2
3. Hex Key Size = 1,5mm
4. Recommended screw torque : 0,6Nm
5. Bore-Diameter 7H7

y20G optoSiC+inclusiv glued SM-mount for 7mm shaft

$J = 4.22\text{g}\cdot\text{cm}^2$
 $M = 10.28\text{g}$



Mirror: Y20



Notes:

1. Dimension from end of the shaft to the center of the clear aperture.
2. Screw size = M2x8mm
3. Nut size = M2
3. Hex Key Size = 1,5mm
4. Recommended screw torque : 0,6Nm
5. Bore-Diameter 7H7