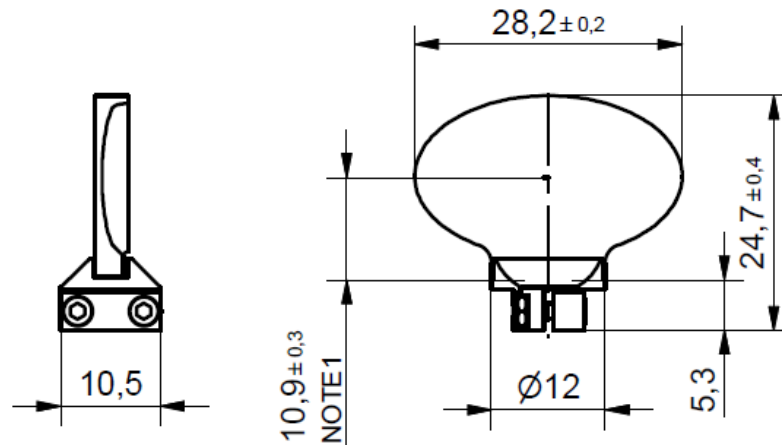


x15G optoSiC+inclusiv glued mount for 5mm shaft

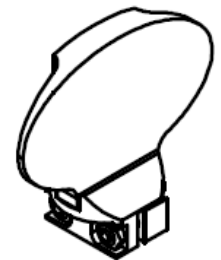
J = 1.30g*cm²
M = 4.69g



Mirror: X15

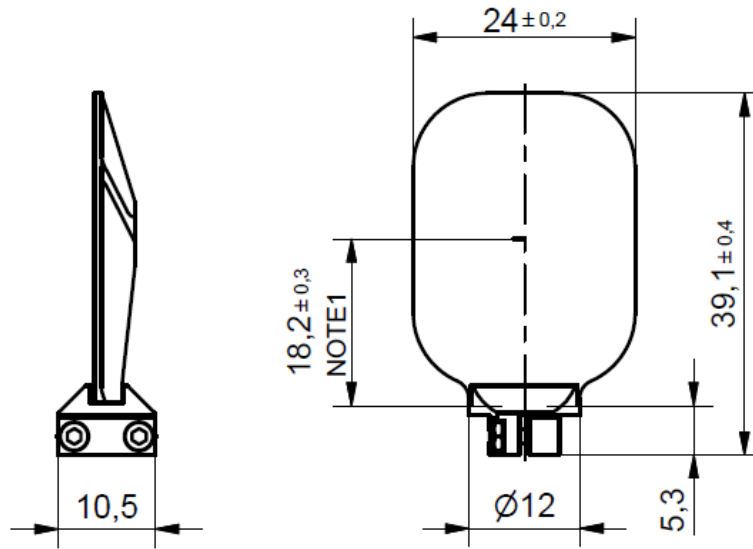
Notes:

1. Dimension from end of the shaft to the center of the clear aperture.
2. Screw size = M1,6x6mm
3. Nut size = M1,6
3. Hex Key Size = 1,5mm
4. Recommended screw torque : 0,25Nm
5. Bore-Diameter 5H7



y15G optoSiC+inclusiv glued mount for 5mm shaft

J = 1.30g*cm²
M = 5.59g



Mirror: Y15

Notes:

1. Dimension from end of the shaft to the center of the clear aperture.
2. Screw size = M1,6x6mm
3. Nut size = M1,6
3. Hex Key Size = 1,5mm
4. Recommended screw torque : 0,25Nm
5. Bore-Diameter 5H7

