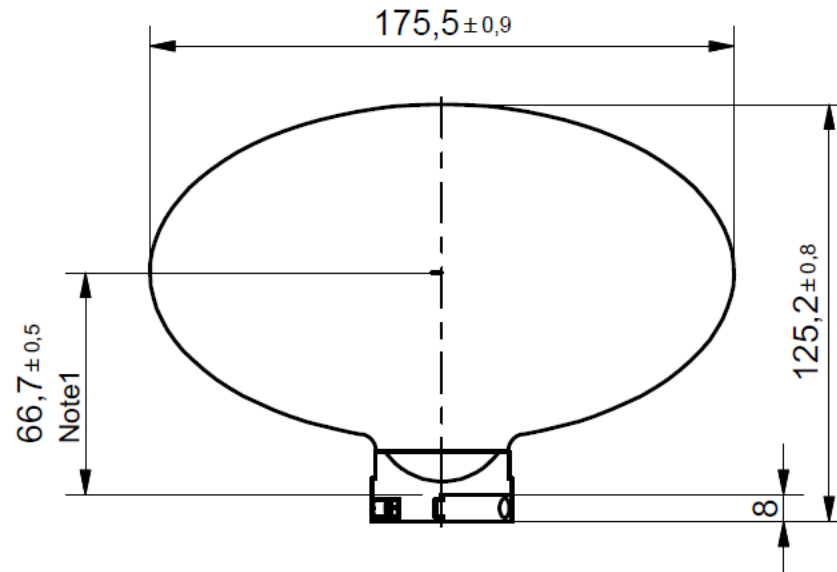


x100G optoSiC+inclusiv glued mount for 12mm shaft

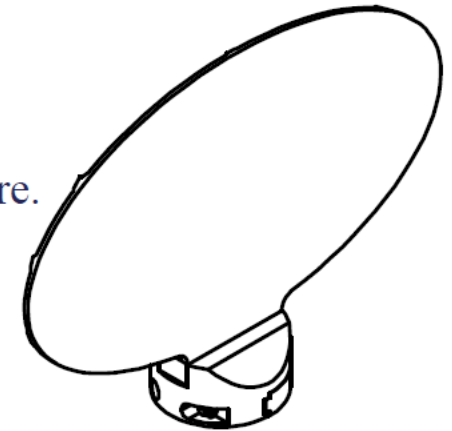
J = 2132g*cm²
M = 279g



X Configuration



Mirror: X100G



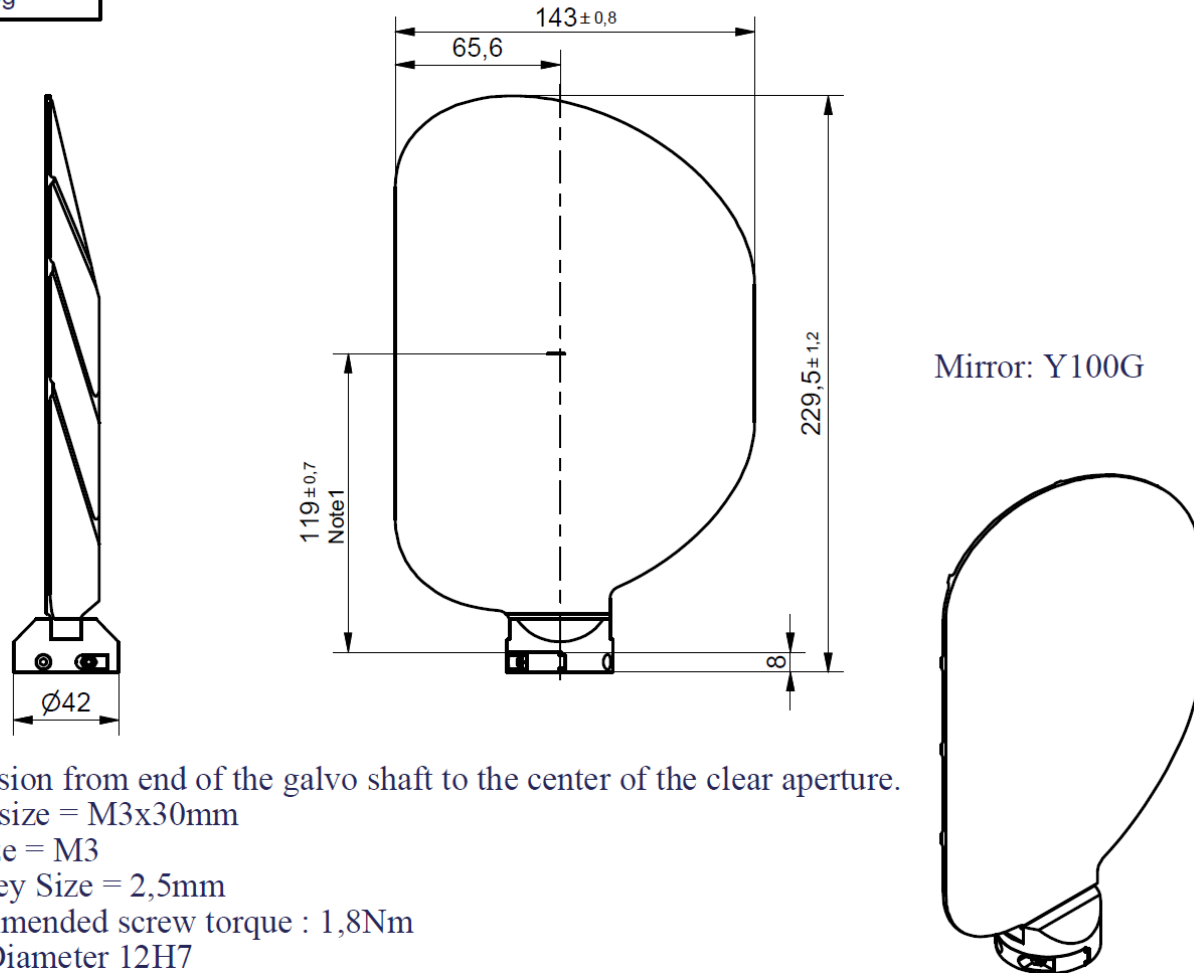
Notes:

1. Dimension from end of the galvo shaft to the center of the clear aperture.
2. Screw size = M3x30mm
3. Nut size = M3
3. Hex Key Size = 2,5mm
4. Recommended screw torque : 1,8Nm
5. Bore-Diameter 12H7

y100G optoSiC+inclusiv glued mount for 12mm shaft

J = 3046g*cm²
M = 558g

Y Configuration



Notes:

1. Dimension from end of the galvo shaft to the center of the clear aperture.
2. Screw size = M3x30mm
3. Nut size = M3
3. Hex Key Size = 2,5mm
4. Recommended screw torque : 1,8Nm
5. Bore-Diameter 12H7